



MANUAL

Quickstep leg

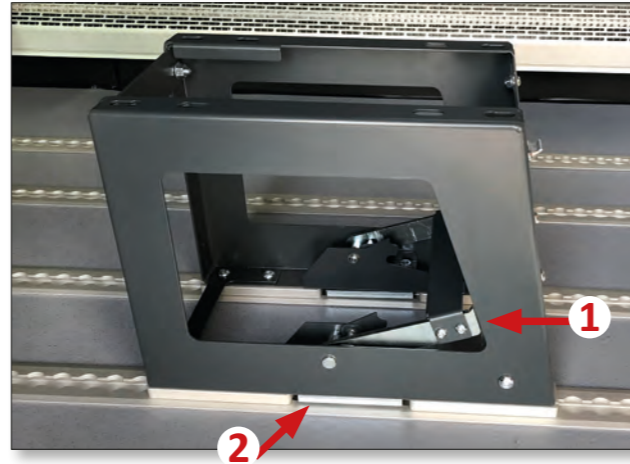


Quickstep Seat Leg

Instructions for use

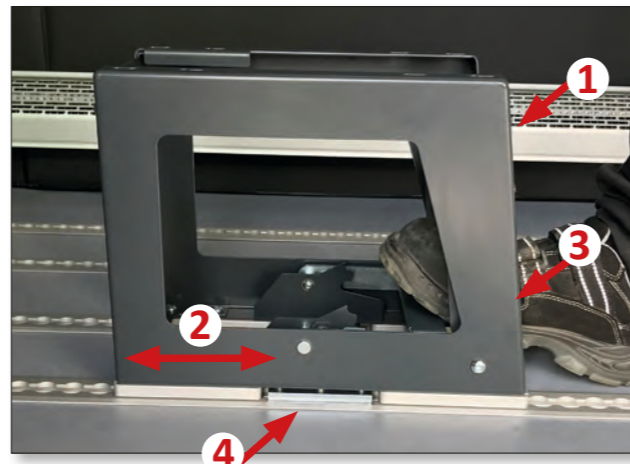
► Leg in unlocked condition

1. The locking plate is in the upper position.
2. The stop pads are not in contact with the floor rail.



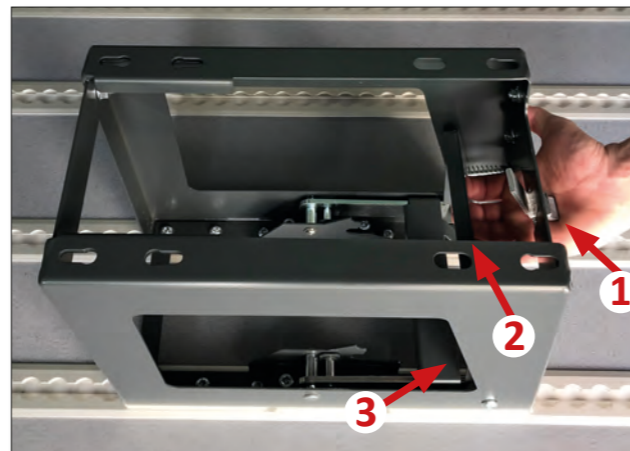
► Lock the leg

1. Actuate the release lever.
2. Move the seat / leg slightly forwards or backwards so that the 2 stop pads engage with the holes in the floor rail.
3. Step with your foot on the locking plate until you hear a small click. The click means that the leg is locked.
4. The stop pad is now in contact with the floor rail.



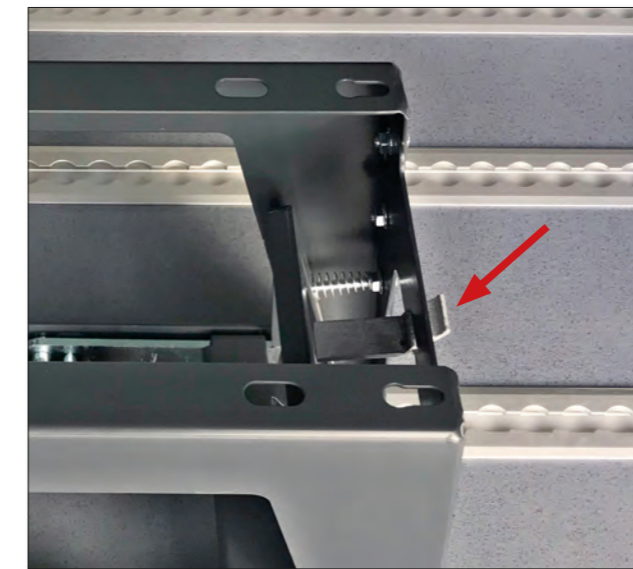
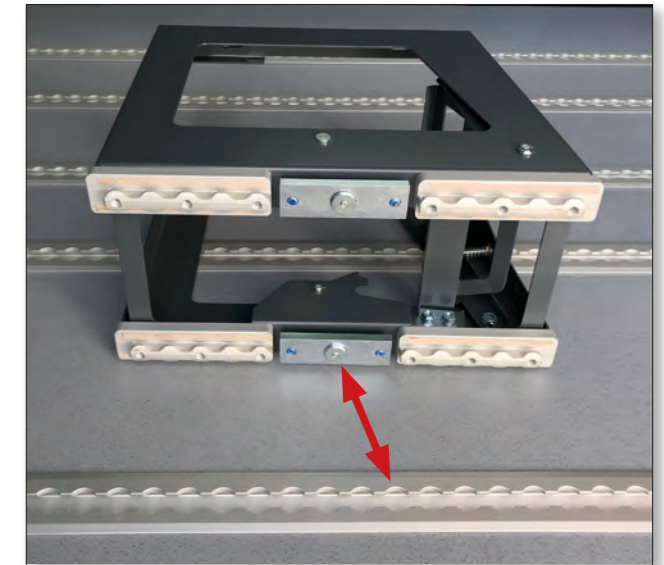
► Unlock the leg

1. Lift the child safety pawl.
2. Pull the handle towards you.
3. Lift the locking plate.



► Stop pads

It's the leg stop pads that goes into intervention with the holes of the floor rail and locks the leg.



► Child safety

The small safety pawl means that the leg can't be opened undesirebly.

► Take leg / seat out of the rail

The leg must be positioned as shown for easy removal from the rails. If necessary, tilt the seat backwards in this position.



Adjusting the leg

If the Quickstep leg is too loose / tight, it can be adjusted with a 6 mm unbraco wrench. This can be done without removing the seat.

► Remove the seat cushion

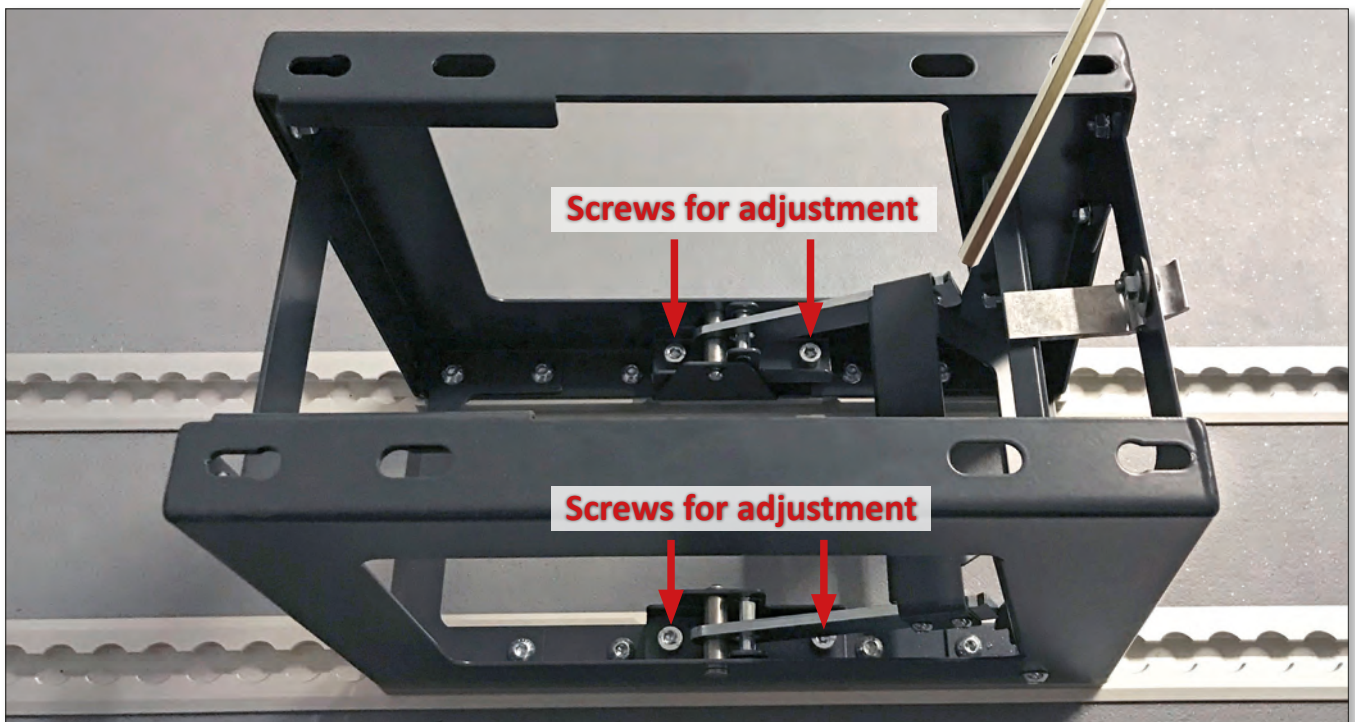
In most cases, the seat cushion simply needs to be lifted at the front edge. The cushion can sit quite tight.

► Too loose - ANTICLOCKWISE

If the leg is too loose, turn the 4 bolts one $\frac{1}{4}$ turn counterclockwise with the unbrako wrench. *ALWAYS remember to turn all 4 bolts equally.*

► Too tight - CLOCKWISE

If you think the leg is too tight, turn the 4 bolts clockwise. Only one $\frac{1}{4}$ turn at a time and all 4 bolts equally.



► Problems?

If the leg is difficult to adjust properly, it may be because you have screwed more on one of the 4 bolts than the others.

Check it by taking the seat out and see if all 4 bolts are equally far forward in the tab shoe.